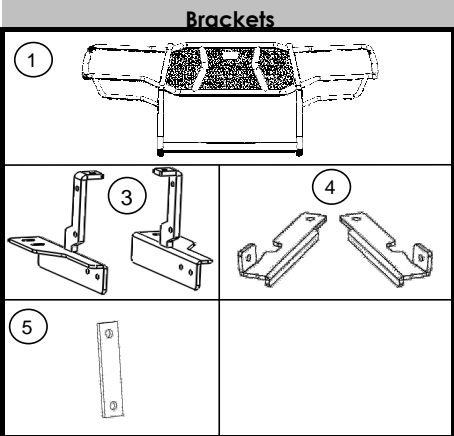


GRILLE GUARD 72289

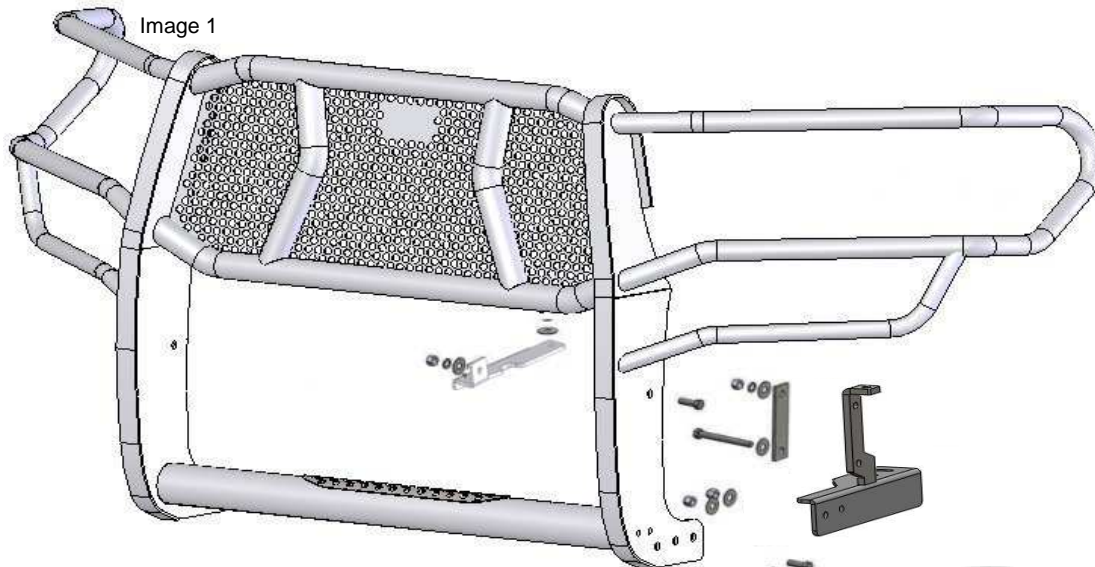
INSTALLATION INSTRUCTIONS Toyota Tundra 2007-13

Parts List					Required Tools (Not included)	
Item	Qty.	Code	Description	Max. Torque	Qty.	Description
1	1 Pc	572890EB	Grille Guard	-	1	Ratchet
2	1 Set	BRK-57289	Brackets	-	1	3/4" Socket
3	1Set	532890DB	Lower bracket	-	1	17mm. Socket
4	1Set	532894EA	Upper bracket	-	1	3/4" Wrench
5	2 Pc	532891BA	Auxiliary bracket	-	1	Extension
7	1 Set	KTE-57289	Hardware kit			
8	6 Pc	-	1/2x1 1/4" Black hex head bolt.	75 lb/ft		
9	6 Pc	-	1/2" Black flat washer	-		
10	6 Pc	-	1/2" Black lock nut	-		
11	2 Pc	-	1/2x1 1/2" Zinc plate hex head bolt	75 lb/ft		
12	4 Pc	-	1/2x4 1/2" Zinc plate hex head bolt	75 lb/ft		
13	12 Pc	-	1/2" Zinc plate flat washer.	-		
14	6 Pc	-	1/2" Zinc plate lock washer.	-		
15	6 Pc	-	1/2" Zinc plate hex nut.	-		



Instructions

1. Before beginning the installation, please read all directions carefully and verify that all necessary hardware is accounted for. If any parts are missing, stop the installation and contact your distributor immediately.
2. To maintain and care this product keep it clean and do not use abrasive cleaners or polish waxes. We recommend to use only non-abrasive automotive wax such as pure carnauba to avoid scratches and rust.
3. The approximate installation time is 35 min.
4. Identify the mounting brackets at image.



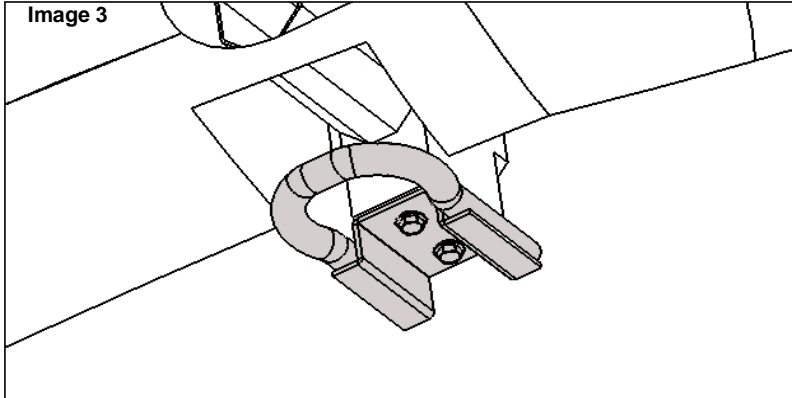
5. To install the Defender/Wrangler, follow the indications and see the images.
6. Identify the fixation areas in the vehicle at image 2.

GRILLE GUARD 72289

INSTALLATION INSTRUCTIONS

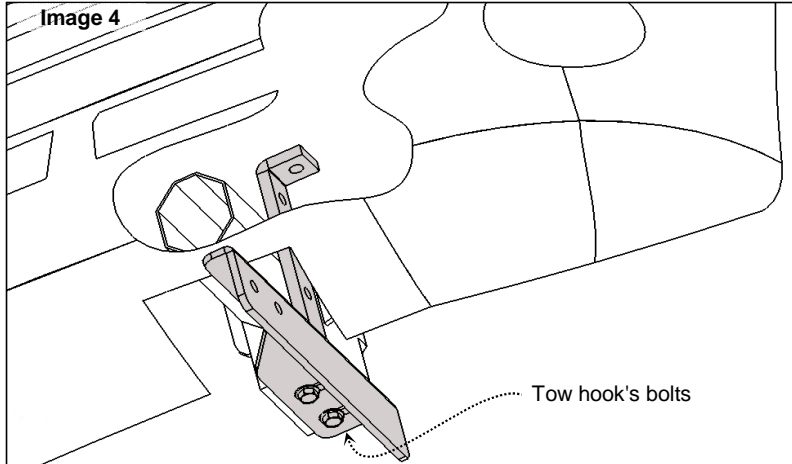
7. Remove the tow hooks, keep the components to reuse later.

Image 3



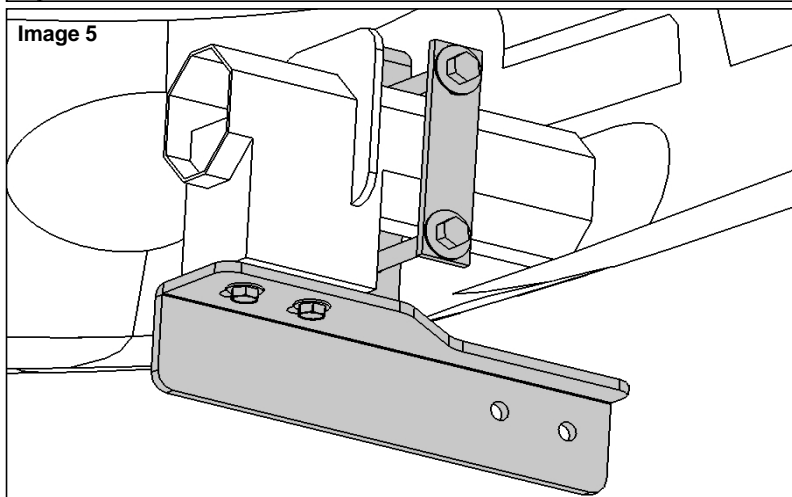
8- Beginning with the driver side, place lower bracket where tow hook was removed. Use the tow hook's bolts to secure it. Repeat for the opposite side.

Image 4



9- Auxiliary bracket complement lower bracket, see image 5 to install. Use (2) 1/2x4 1/2" hex head bolts, (4) 1/2" flat washers, (2) 1/2" lock washers and (2) 1/2" hex nuts. Repeat for the opposite side.

Image 5



10- **ATTENTION!** Installation of top brackets varies according model. For models 2007 to 2009 see image 6 and for models 2010 see image 6.1. Use (1) 1/2x1 1/2" hex head bolts, (2) 1/2" flat washers, (1) 1/2" lock washer and (1) 1/2" hex nut.

Image 6

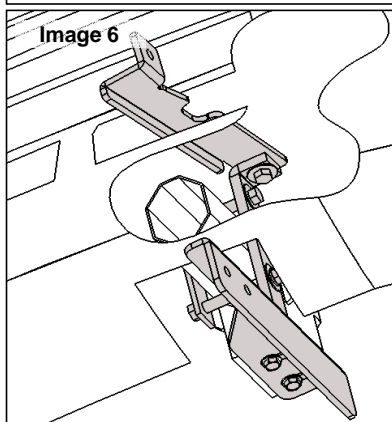
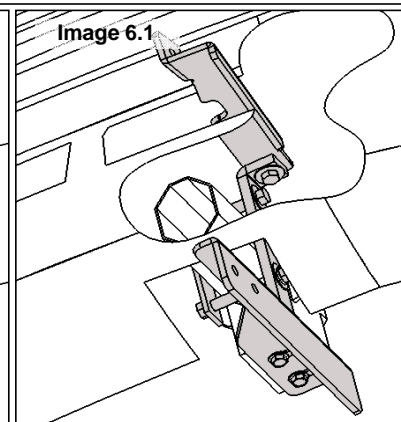


Image 6.1

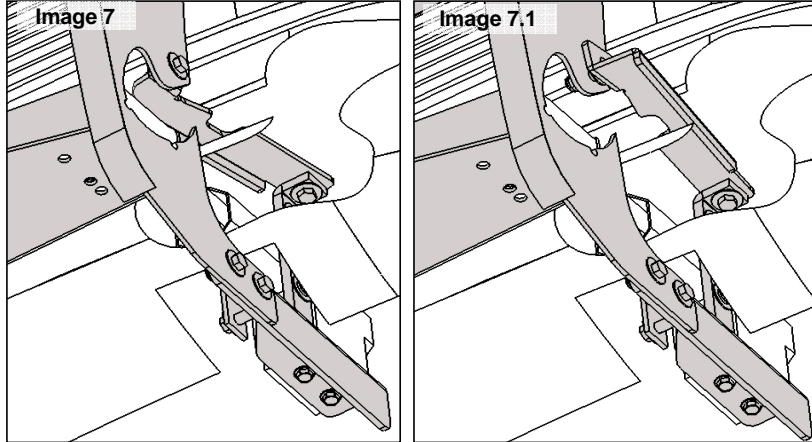


GRILLE GUARD 72289

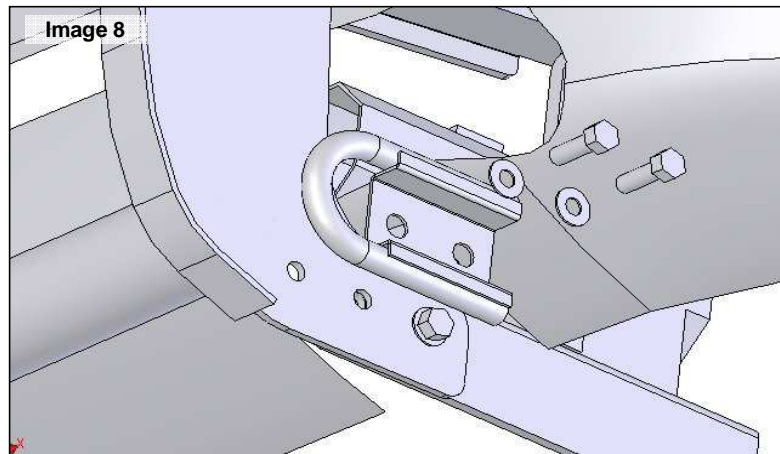
INSTALLATION INSTRUCTIONS

11. ATTENTION! Image 7 for models 2007 to 2009 and image 7.1 for models 2010.

Secure lower brackets to Defender/Wrangler with (2) 1/2x1 1/4" hex head bolts, (2) 1/2" flat washers and (2) 1/2" lock nuts. Attach top bracket with (1) 1/2x1 1/4" hex head bolt, (2) 1/2" flat washers, (2) 1/2" lock nut. All hardware is black plated.



12. If you want to reinstall the tow hooks, see image 8, use the 1/2 x 1 1/4" bolts. Notice one of the bolts also secure the Defender/Wrangler to the mounting brackets.



13- Fill out the warranty card and place it inside your vehicle's glove box.

