

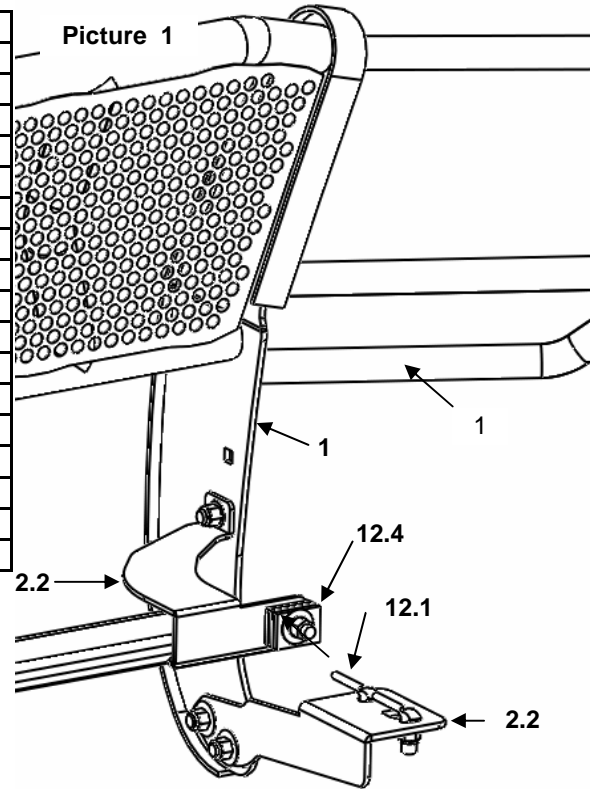
INSTALLATION INSTRUCTIONS

72233 GRILLE GUARD

2004 - 2008 FORD F-150

Parts List:

No.	Qty.	Unity	Part No.	Description
1	1	Pc		GRILLE GUARD
2	1	Pc	BRK-57233	BRACKETS KIT
2.1	4	Pc		SPECIAL BOLT
2.2	1	Set		UPPER BRACKET
2.3	1	Set		LOWER BRACKET
2.4	6	Pc		SQUARE PLATE
2.5	1	Pc	KTE-57233	HARDWARE KIT
2.5.1	6	Pc		1/2x1 1/4" BLACK CARRIAGE BOLT
2.5.2	2	Pc		1/2" BLACK FLAT WASHER
2.5.3	6	Pc		1/2" BLACK LOCK NUT
2.5.4	4	Pc		1/2" BLACK FLAT WASHER
2.5.5	6	Pc		1/2" BLACK FLAT WASHER
2.5.6	4	Pc		1/2" LOCK NUT
2.5.7	2	Pc		1/2x2" CARRIAGE BOLT
2.5.8	2	Pc		1/2" LOCK WASHER
2.5.9	2	Pc		1/2" HEX NUT
2.5.10	1	Pc		WIRE LINE FOR 1/2" BOLT



Tools required:

3/4" / 19mm Wrench / Socket Ratchet extension
Ratchet Cutter

Approximated installation time: 30 min.

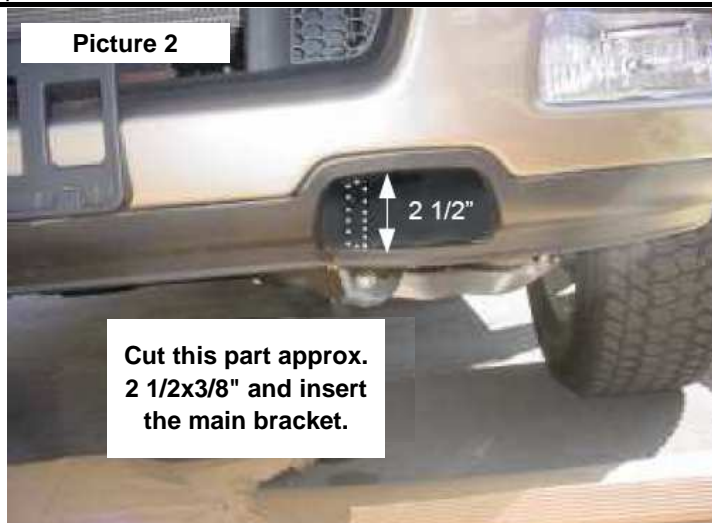
1. Carefully read and understand instructions before start installation. If You can not find all the listed parts, please stop installation. Stop installation and call to your dealer to get the missing pieces.

Instructions:

2. If vehicle does not have Tow Hooks, you must to cut small windows on fascia as shown picture 2 **Note: If truck has been modified to change floor level , please DO NOT CUT FASCIA.**

3. IF vehicle have TOW HOOKS, remove completely tow hook's front bolt , and loose other in order to allow lower bracket slip under it. **Note: Please DO NOT TIGHT ANY BOLT.**

3. Locate oval and round holes over chassis outer face, use this holes to fix lower bracket (Picture. 1 & 2)



Cut this part approx. 2 1/2x3/8" and insert the main bracket.

Cleaning and care instructions:

.Protect the finish with a non-abrasive automotive wax, (e.g. Pure Carnauba) on a regular basis. The use of any soap, polish, or wax that contains an abrasive is detrimental to the finish, as the compounds scratch the finish and cause corrosion.

Desing:

Quality:

Revised: 14-05-11

INSTALLATION INSTRUCTIONS 72233 GRILLE GUARD

Picture 3

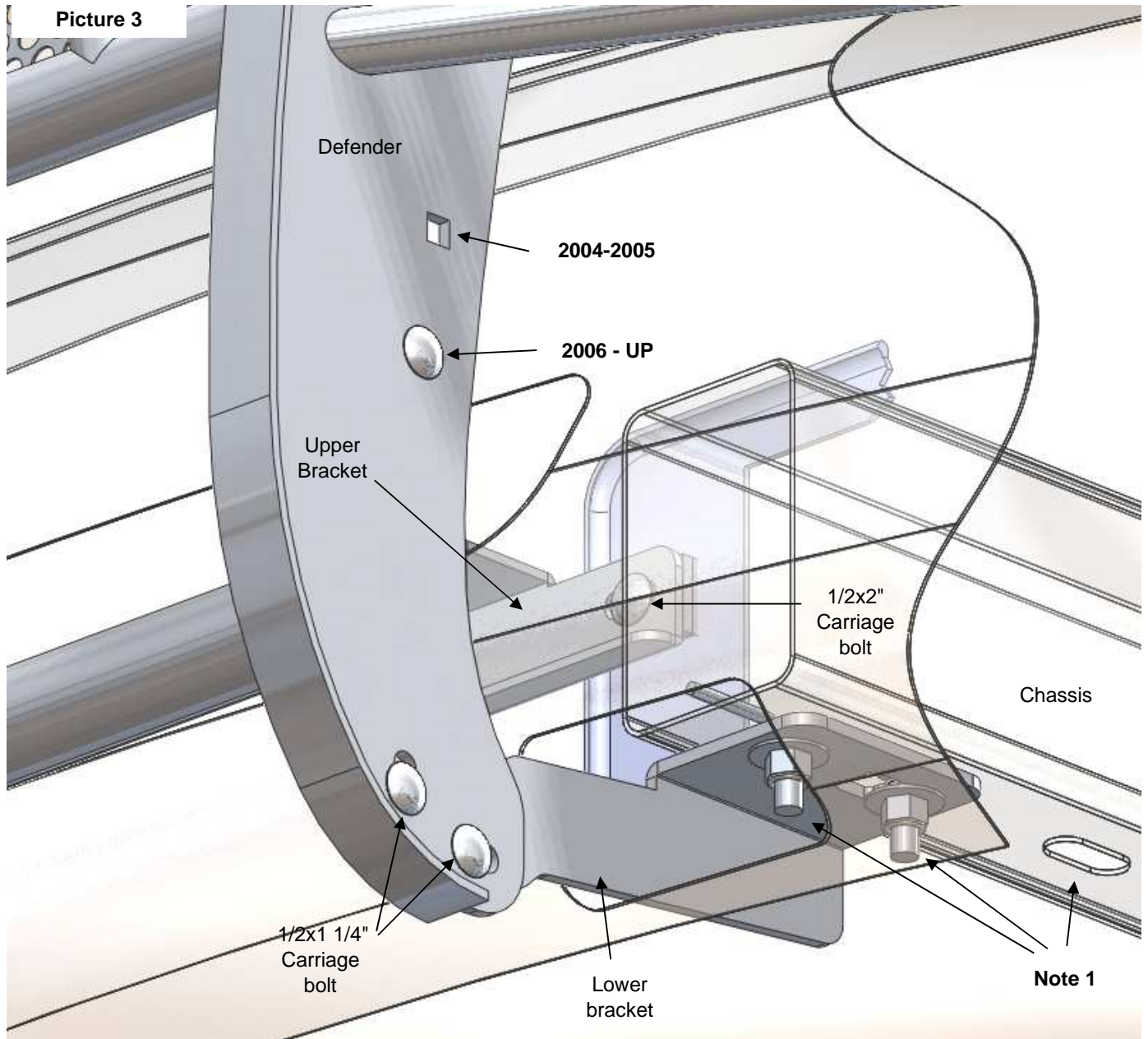


Diagram shows lower bracket installation for NON TOW HOOKS vehicle, if TOW HOOKS exist, please use bolt's vehicle remaining tow hooks as before.

Note 1: Use wire line to insert bolts as shown picture below.

Cleaning and care instructions:

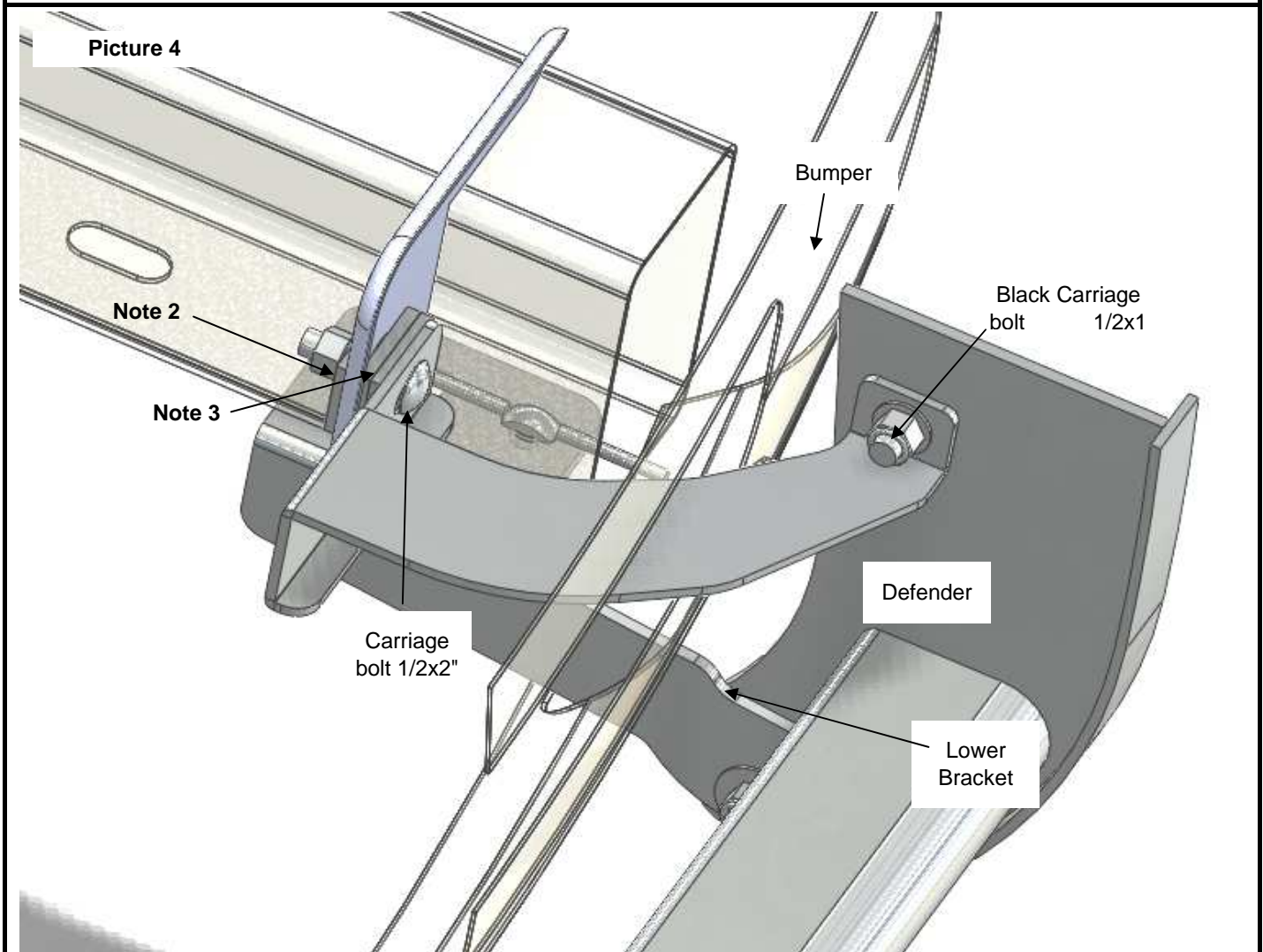
Diseño:

Calidad:

.Protect the finish with a non-abrasive automotive wax, (e.g. Pure Carnauba) on a regular basis. The use of any soap, polish, or wax that contains an abrasive is detrimental to the finish, as the compounds scratch the finish and cause corrosion.

Revised: 14-05-11

INSTALLATION INSTRUCTIONS 72233 GRILLE GUARD



Note 2. Square plate must to be used all truck version.

Note 3. Square plate must to be used only for 2004 & 2005 truck model.

4. Set up alignment for DEFENDER , please verify interference during HOOD OPENING and tight all bolts and hardware.
5. Do not use abrasive substances for cleaning.
6. **Fill it up warranty card** and keep on truck.

Cleaning and care instructions:

Diseño:

Calidad:

.Protect the finish with a non-abrasive automotive wax, (e.g. Pure Carnauba) on a regular basis. The use of any soap, polish, or wax that contains an abrasive is detrimental to the finish, as the compounds scratch the finish and cause corrosion.

Revised: 14-05-11