

**GRILLE GUARD**

**INSTALLATION INSTRUCTIONS**

**72139**

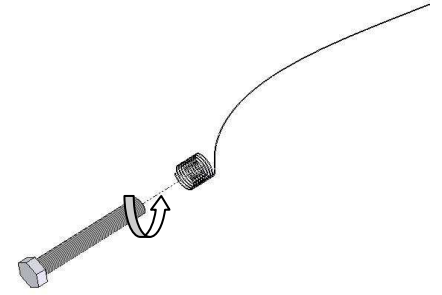
**FORD SUPER DUTY F-250, F-350, F-450, F-550 1999 - 07 & FORD EXCURSION 2000 - 05  
(up to '07 in CAN & MEX) - (Exclud. 1999-04 4x4 with front leaf spring suspension)**

**Parts List:**

ITEM	QTY	DESCRIPTION	MAX. TORQUE
1	1	Grille guard	-
2	2	Main bracket	-
3	2	Auxiliary bracket	-
4	1	Complement auxiliary bracket set	-
5	4	3/8" Bolt plate	-
<b>KTE-57139 Hardware kit including:</b>			
6	6	1/2 x 1 1/4" Hex. Head bolt	70 Lb/Ft
7	6	1/2" Flat washer	-
8	6	1/2" Lock nut	70 Lb/Ft
9	4	3/8" Flat washer ( tri z. plated )	-
10	4	3/8" Lock washer ( tri z. plated )	-
11	4	3/8" Hex. Nut ( tri z. plated )	30 Lb/Ft
12	2	3/8 x 1 1/4" Hex. Head bolt	30 Lb/Ft
13	2	3/8" Flat washer ( tri black )	-
14	2	3/8" Lock washer ( tri black )	-
15	2	3/8" Hex. nut ( tri black )	30 Lb/Ft
16	1	3/8" Bolt guide	-

**Tools required:**

DESCRIPTION	QTY
18mm Socket / Wrench	1
9/16" Socket / Wrench	1
3/4" Socket / Wrench	1
Ratchet	1
Ratchet extension	1



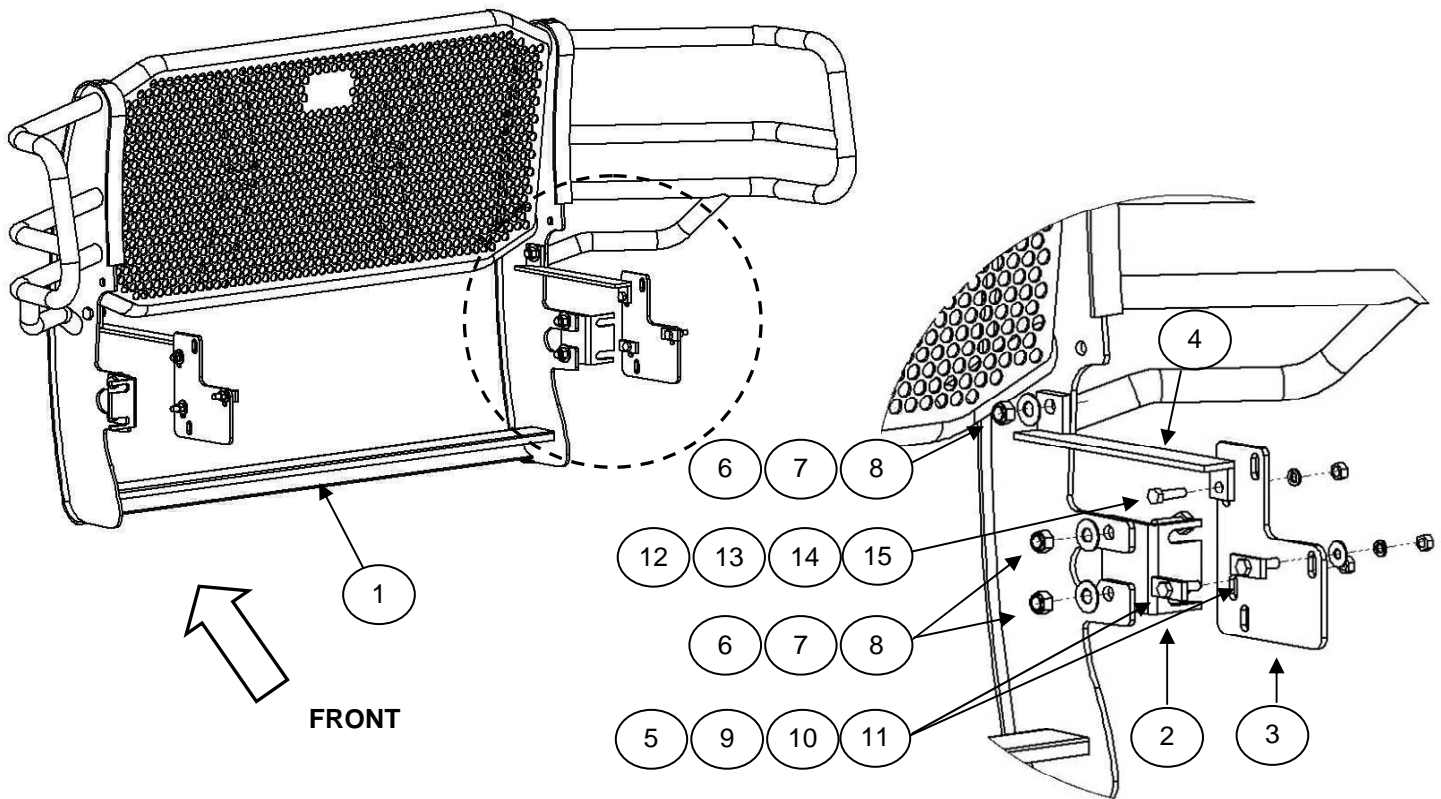
Reference 3/8" bolt guide

**Instructions:**

**Approximated installation time: 45 min.**

1. Before beginning the installation read all instructions thoroughly and verify that all hardware is accounted for. if there are any listed parts missing, please notify your distributor immediately.

**ILLUSTRATION 1.**



**Cleaning and care instructions:**

**Design:**

**Quality:**

Protect the finish with a non-abrasive automotive wax, (e.g. Pure Carnauba) on a regular basis. The use of any soap, polish, or wax that contains an abrasive is detrimental to the finish, as the compounds scratch the finish and cause corrosion.

**72139**

2. Locate and remove the nuts that hold the bumper to the frame in the front of the vehicle.

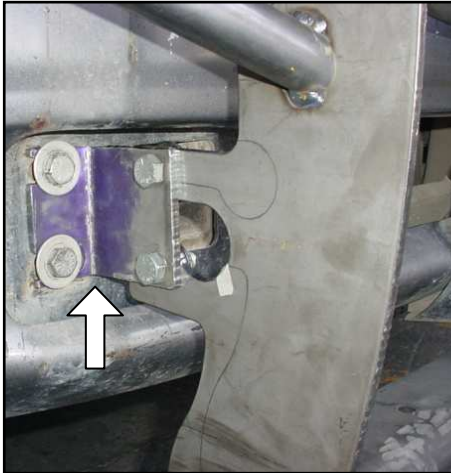
**NOTE: It removes a side simultaneously to avoid that the bumper falls.**

3. It places main bracket and attach with bolt before removed. Leave loose.. Repeats for the opposite side. See pictures 1 & 2.

4. It places in the spiral of 3/8" bolt guide, ( 1 ) 3/8" bolt plate, insert by the end of the frame and it must leave by where the bolts are indicated in picture 3, so that the body of the wall-plate is within frame and the body of the bolt is outside the frame.

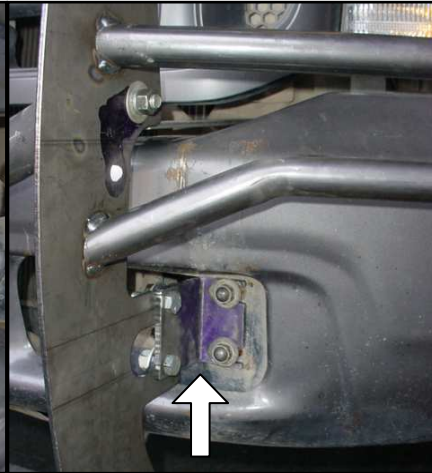
It mounts auxiliary bracket and attach with: ( 1 ) 3/8" flat and lock washer, ( 1 ) 3/8" hex nut, by each bolt. Leave loose.. Repeats for the opposite side.

PICTURE 1



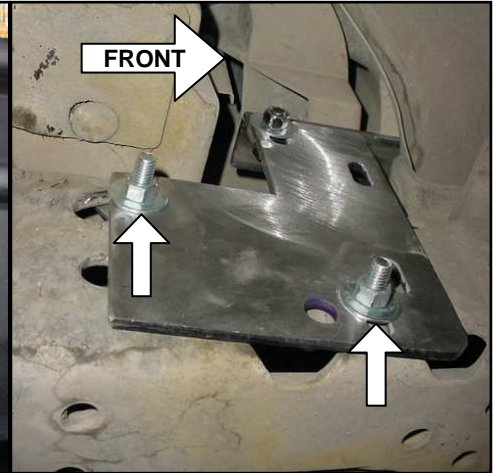
Installed main bracket. Picture passenger side.

PICTURE 2



Installed main bracket. Picture driver side.

PICTURE 3



Installed auxiliary bracket. Picture passenger side, internal part.

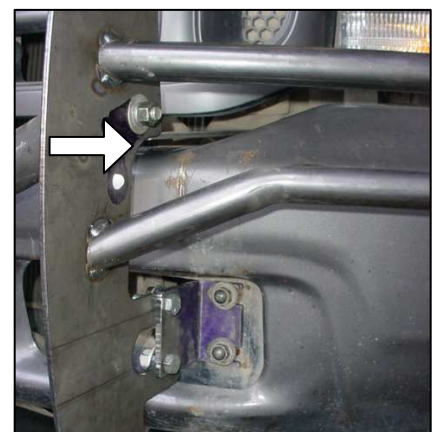
5. In order to install the complement auxiliary bracket, it must insert it by an end of the bumper until placing it in auxiliary bracket, attach with: ( 1 ) 3/8 x 1 1/4" hex head bolt, ( 1 ) 3/8" flat and lock washer, ( 1 ) 3/8" hex. nut. Leave loose. Repeats for the opposite side. See pictures 4 & 5.

PICTURE 4



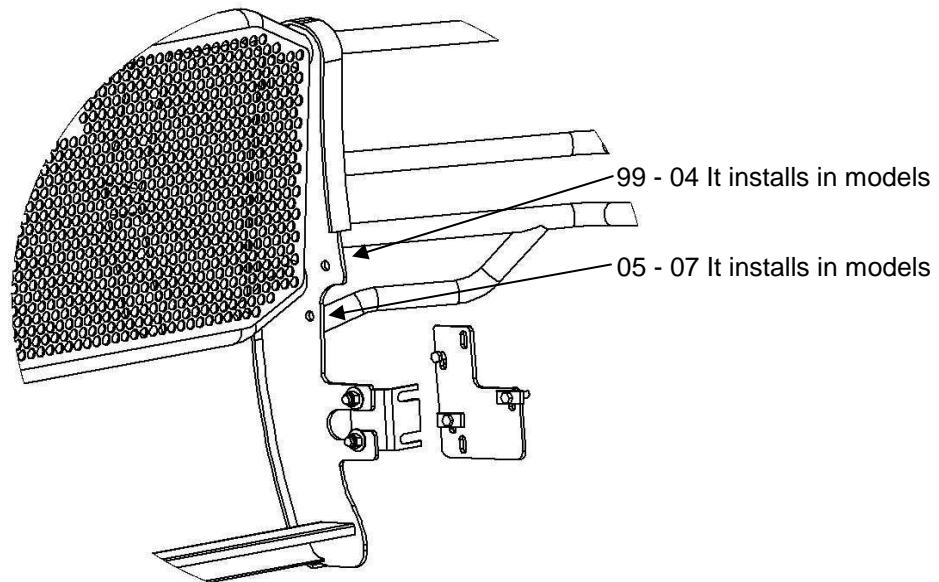
Complement auxiliary bracket inserts this way, and moved until arriving at auxiliary bracket, attach with bolts indicated above. Picture driver side.

PICTURE 5



**72139**

6. It mounts Defender main brackets and attach with: ( 2 ) 1/2 x 1 1/4" hex head bolt, ( 2 ) 1/2" flat washer, ( 2 ) 1/2" lock nut. By each side. Leave loose.
7. Attach auxiliary brackets to the plates of Defender with: ( 1 ) 1/2 x 1 1/4" hex. head bolt, ( 1 ) 1/2" flat washer, ( 1 ) 1/2" lock nut. By each side. Leave loose.
8. Align Defender, and then get tighten all bolts.
9. Do not use abrasive substances to clean your product.
10. Periodically check your product because it may need a re-tighten of bolts.
11. Fill the warranty card and place it inside your vehicle's glove box.

**ILLUSTRATION 2****INSTALLED ACCESSORY**