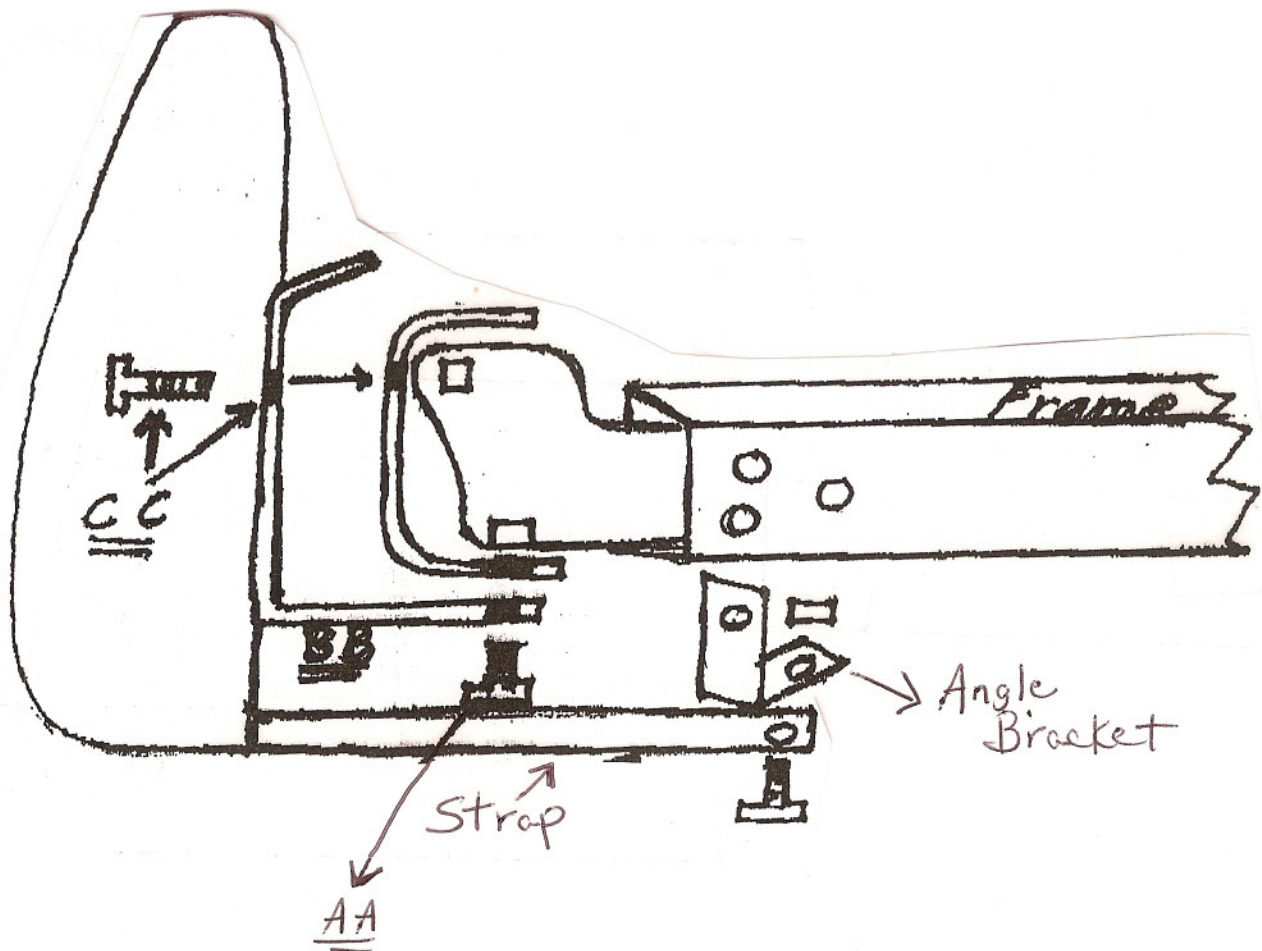


GAGE GRILL GUARD
MOUNTING INSTRUCTIONS FOR
#1125 CHEVY 92-98



1. Remove bolt AA from front bumper.
2. Put grill guard in place, and bolt bracket BB with AA bolt.
3. Center grill guard to front end; drill hole and bolt CC.
4. Bolt strap to frame with angle bracket DD.