

GAGE MOUNTING INSTRUCTIONS
FOR #1112, #1113, #1122
2003 CHEVY ½ TON, ½ TON H/D AND
CHEVY ¾ TON H/D

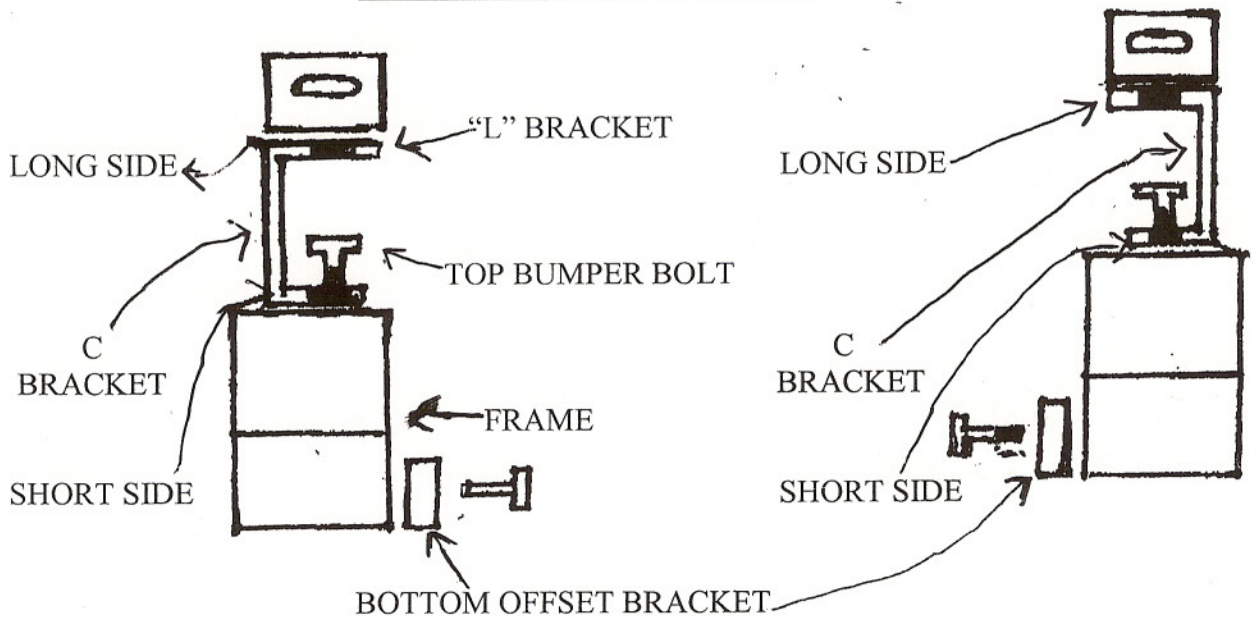
1. Remove inside top bumper bolt. Place "C" bracket as shown on A and bolt. "C" bracket can face to the inside or to the outside:
Note: Short Leg Down

2. Place "L" bracket to the grill guard TAP and to the "C" bracket as shown on B.

3. Place bottom offset bracket to the bottom side hole on the upright and to the frame.

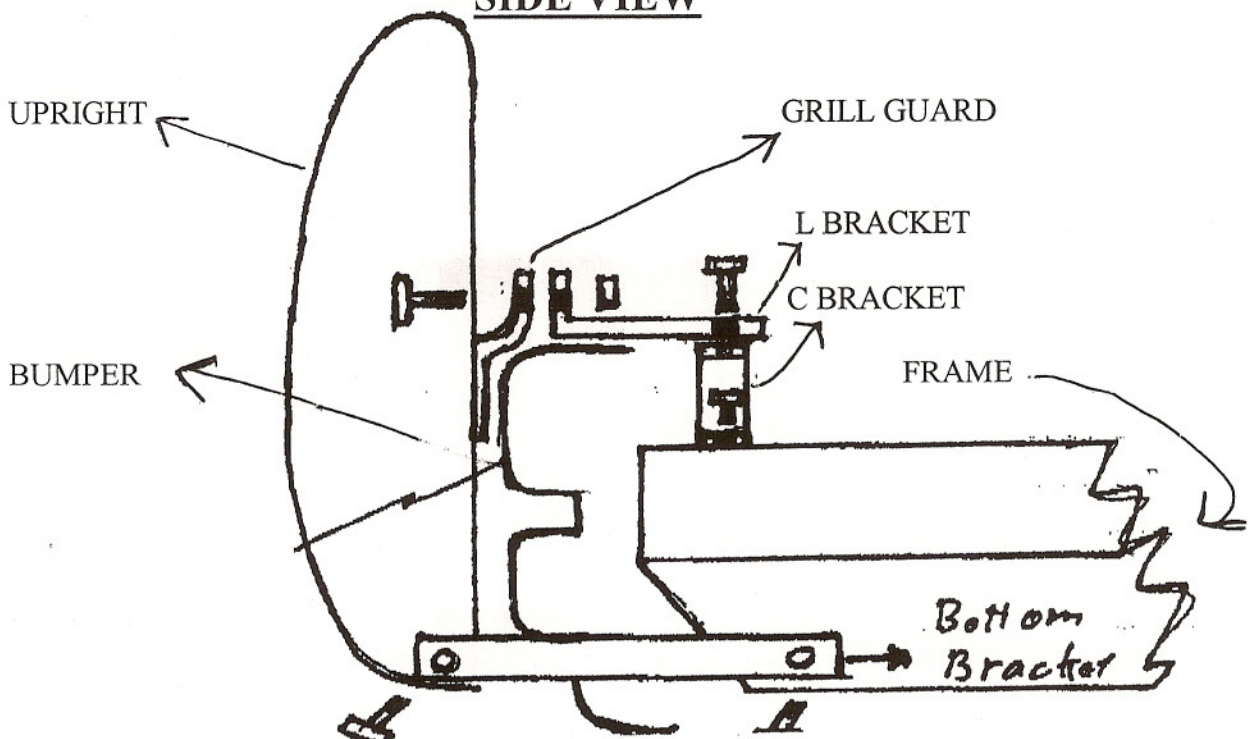
#1112-2003 Chevy 1500
#1113-2003 Chevy 1500HD
#1122-2003 CHEVY HD

GRILL GUARD

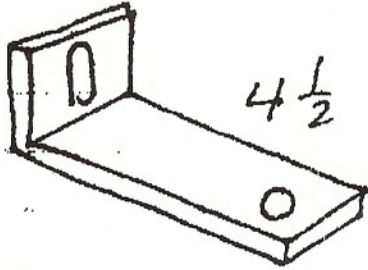


FRONT VIEW

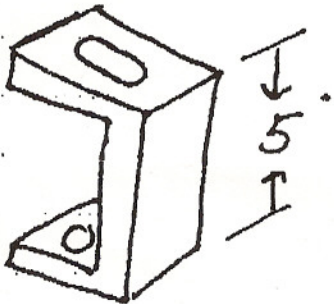
SIDE VIEW



For Bolt on Grill
 Bracket 2003 Chevy $\frac{1}{2}$ TON HD
 (1113)
 Top Bracket



Inside Bracket



Bottom Bracket

