

01-02 CHEVY 2500HD

PART # 1120

01-02 CHEVY 3500HD

INSTALLATION KIT

- 2- 1/2 X 2" BOLT
- 4- 1/2 X 1 1/2" BOLT
- 6- 1/2" NUT
- 6- 1/2" LOCK WASHER
- 12- 1/2" FLAT WASHER

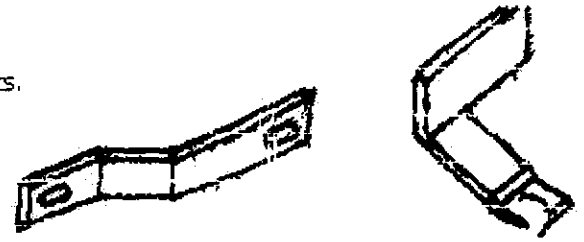
Step 1: Remove bolt from inside factory bumper as shown:

Step 2: Place inside offset bracket to the frame where the bolt was removed as shown:

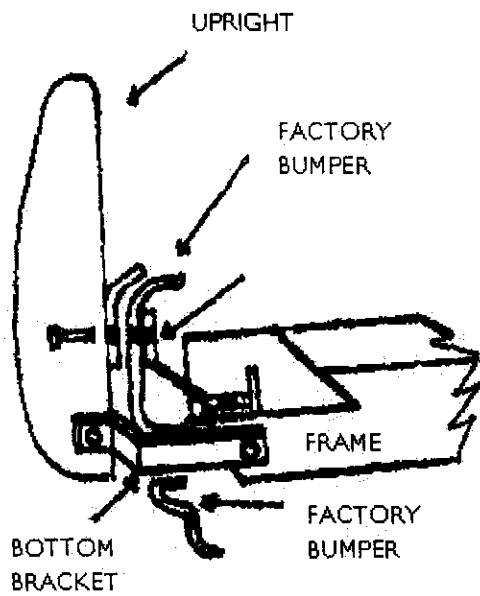
Step 3: Mount grille guard to the front end of your vehicle. Center the grille guard to the front end of your vehicle, bolt bottom bracket to the upright and to the inside of the frame.

Step 4: Bolt grille guard on the front end of your vehicle.

Step 5: Check alignment on the grille guard and tighten bolts.



GRILLE GUARD MOUNT



BRACKET MOUNT

